

Monitor

(8180)

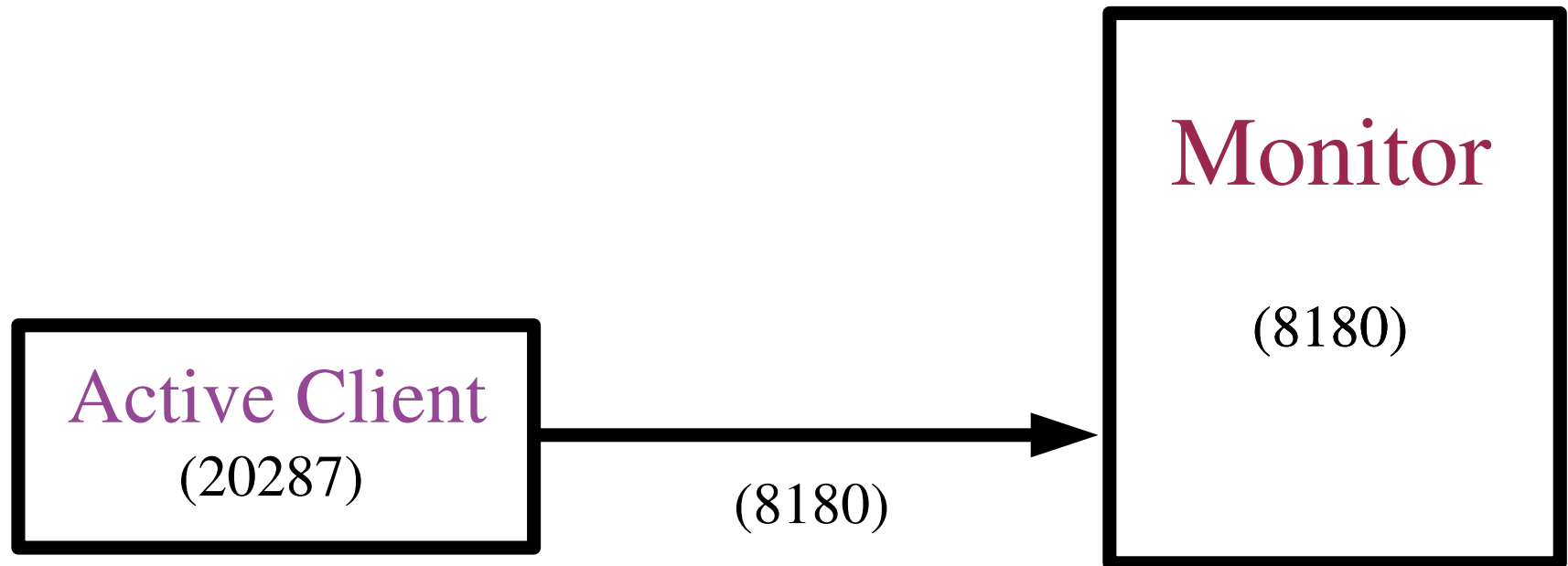
Start the Active Client

Active Client
(20287)

Monitor

(8180)

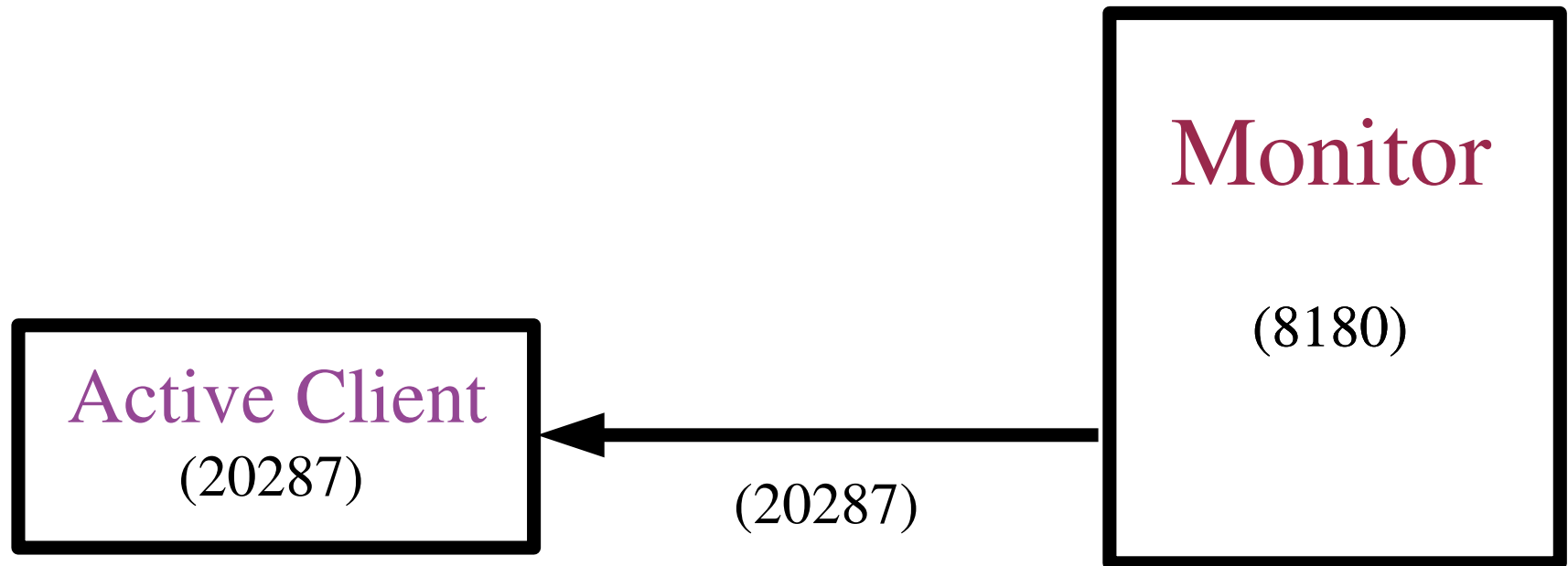
Make a connection to the Monitor



Active Client Code:

```
Socket skt = new Socket("helios.ececs.uc.edu", 8180);  
out = new PrintWriter(skt.getOutputStream(), true);  
isr = new InputStreamReader(skt.getInputStream());  
is = new BufferedReader(isr);  
is.readLine();
```

Receive IDENT message group from Monitor



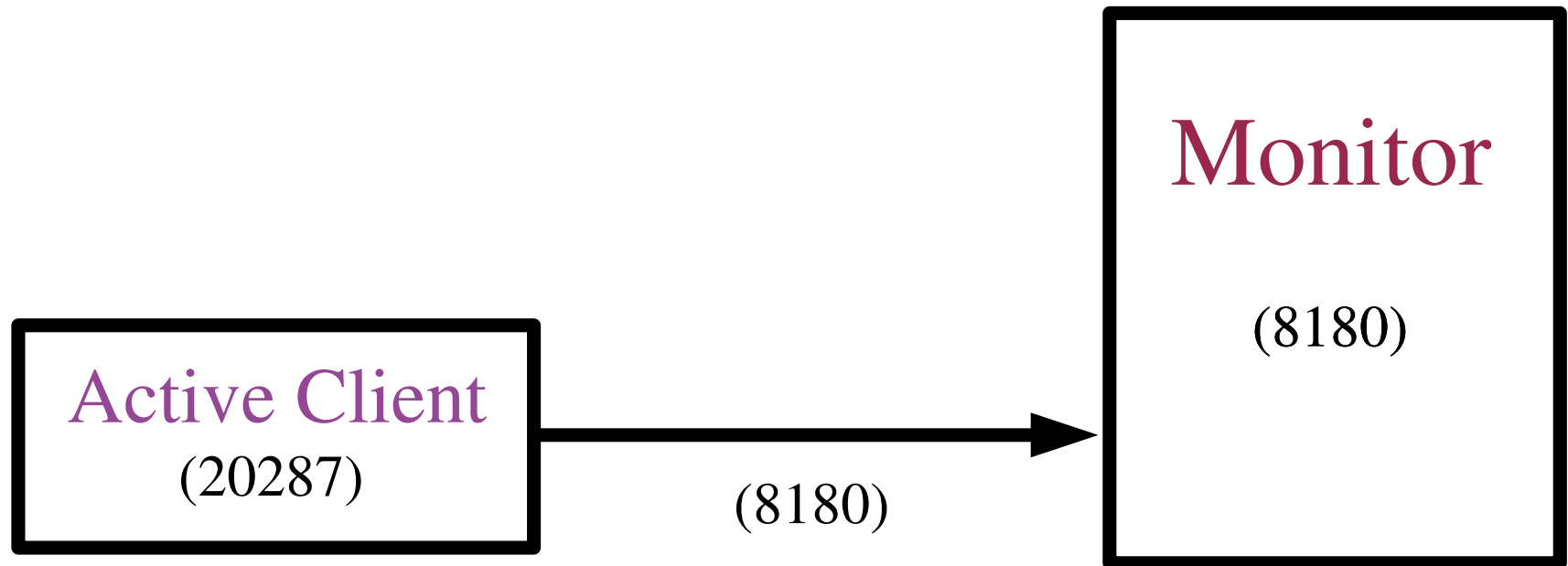
Login Protocol:

COMMENT: Monitor Version 2.2

REQUIRE: IDENT

WAITING:

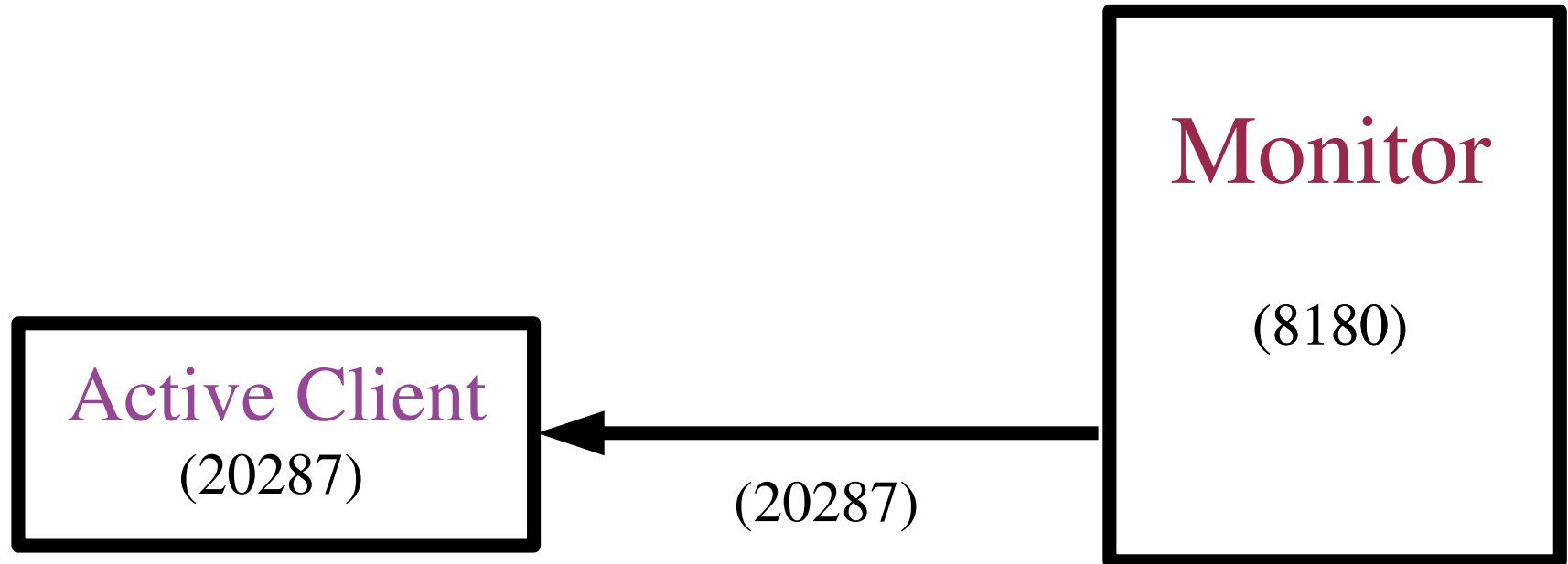
Send IDENT command to Monitor



Login Protocol:

IDENT FRANCO

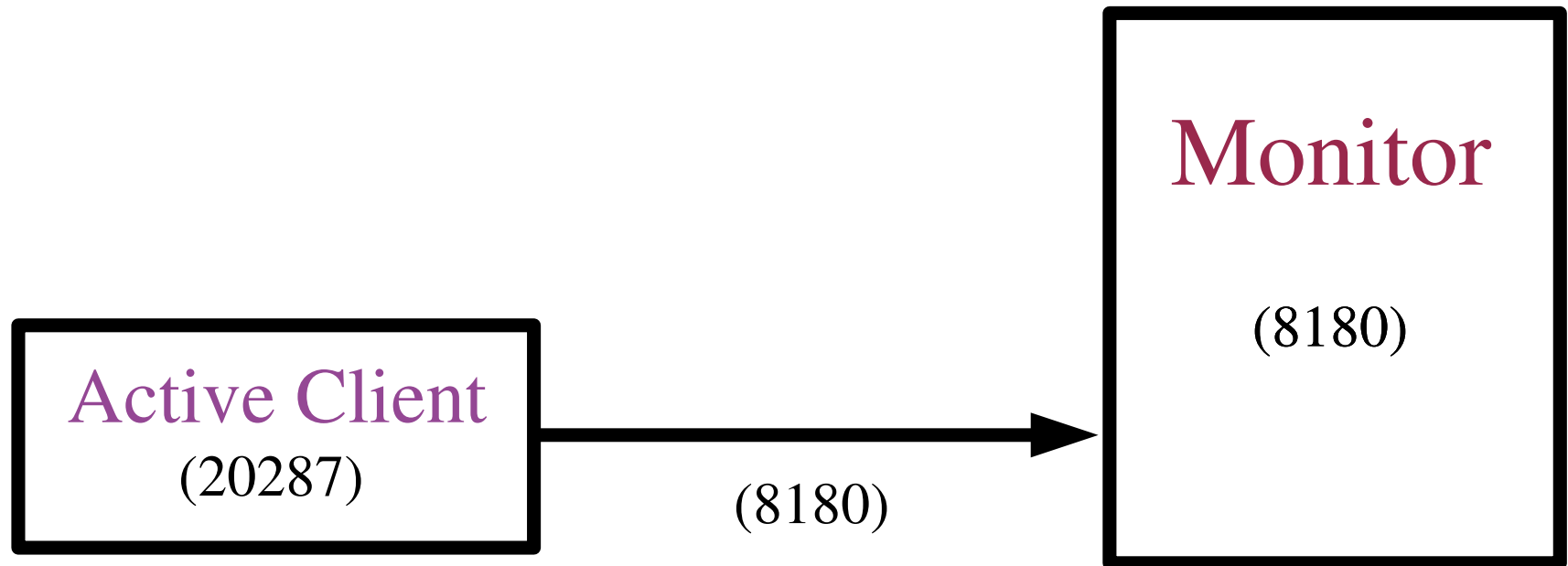
Get PASSWORD directive from Monitor



Login Protocol:

RESULT: IDENT REQUIRE: PASSWORD
WAITING:

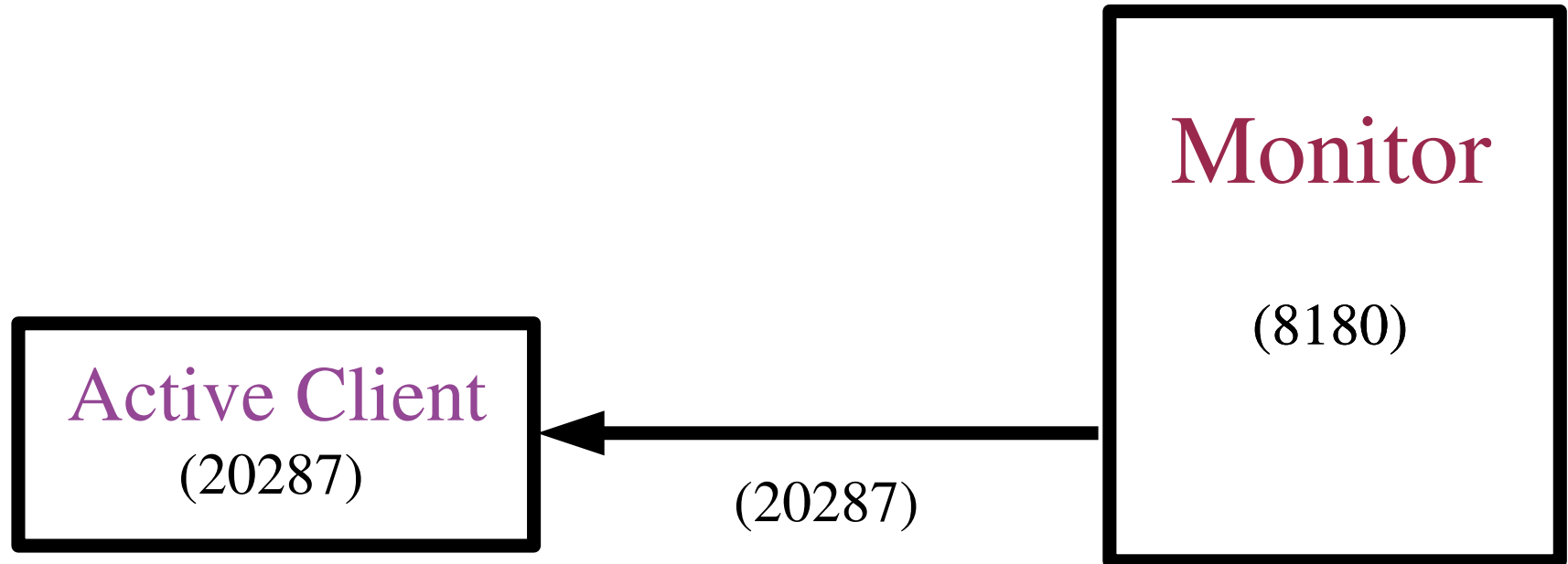
Send Password to Monitor



Login Protocol:

PASSWORD EYES_ARE_BLUE

Get HOST_PORT directive & cookie from Monitor



Login Protocol:

RESULT: PASSWORD UYERWEEIOUYTUIU
REQUIRE: HOST_PORT
WAITING:

Start Server

Server
(21567)

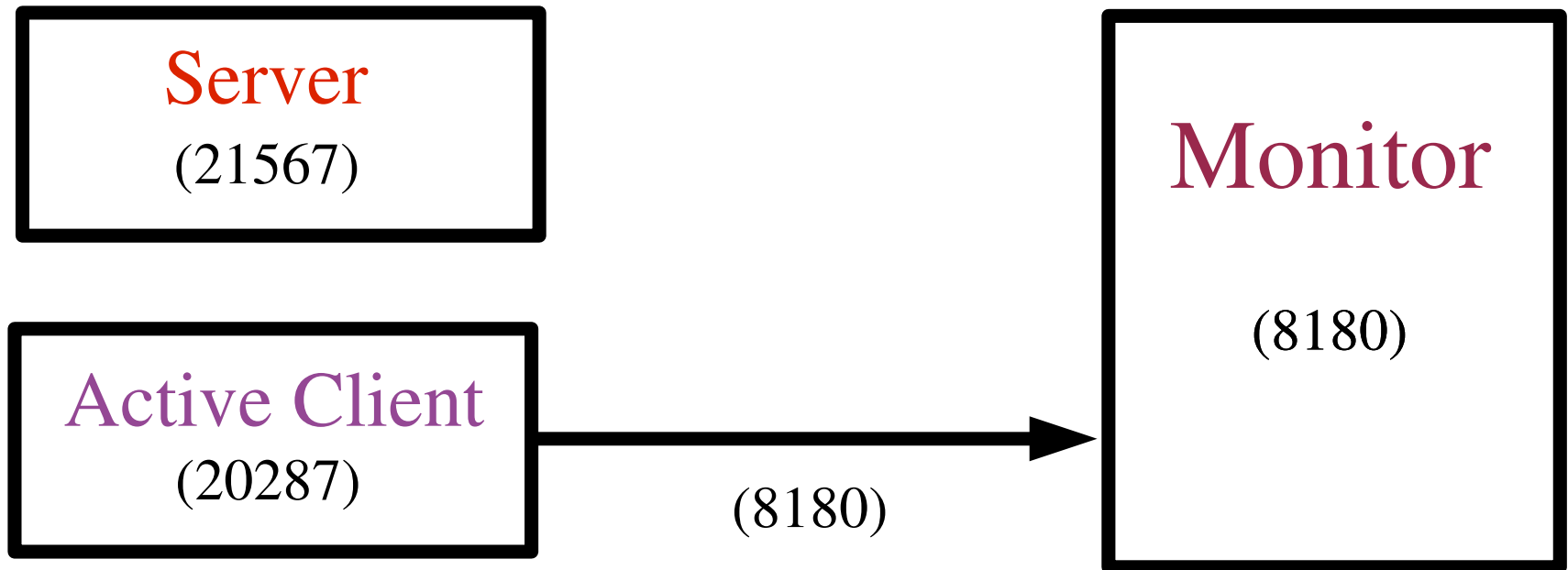
Active Client
(20287)

Monitor

(8180)

Login Protocol:

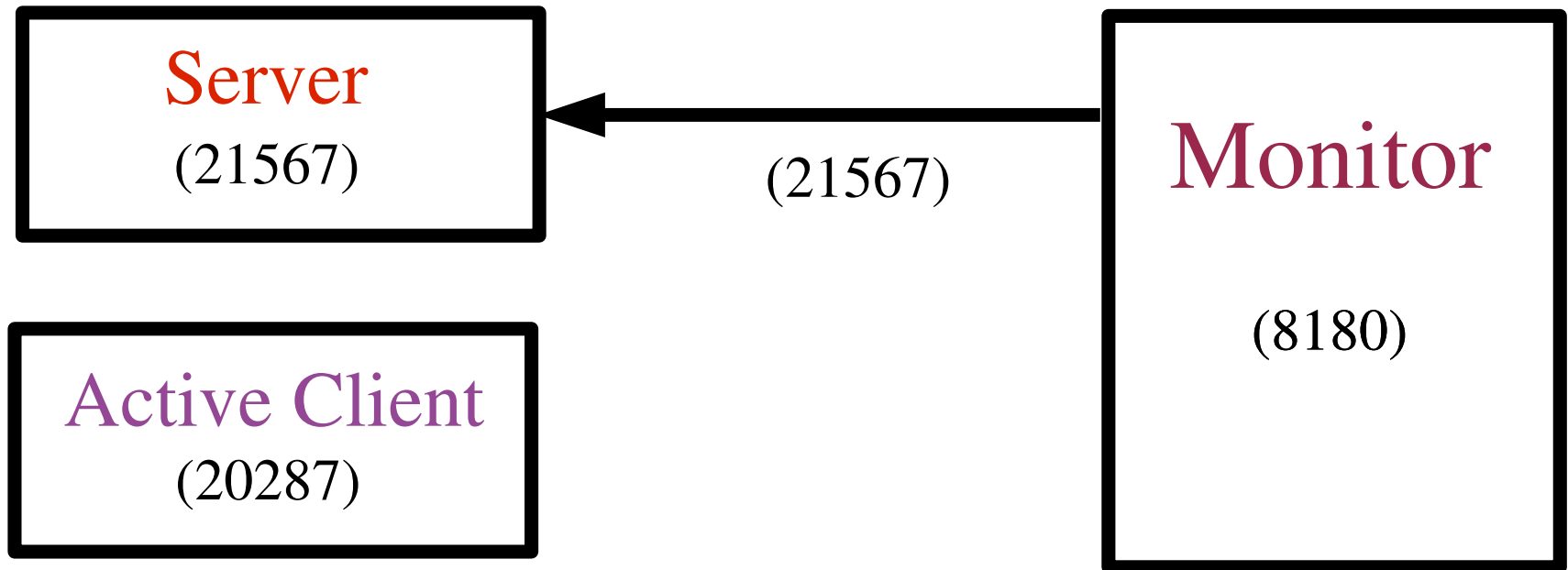
Send Server port (host port) to Monitor



Login Protocol:

HOST_PORT gauss.ececs.uc.edu 21567

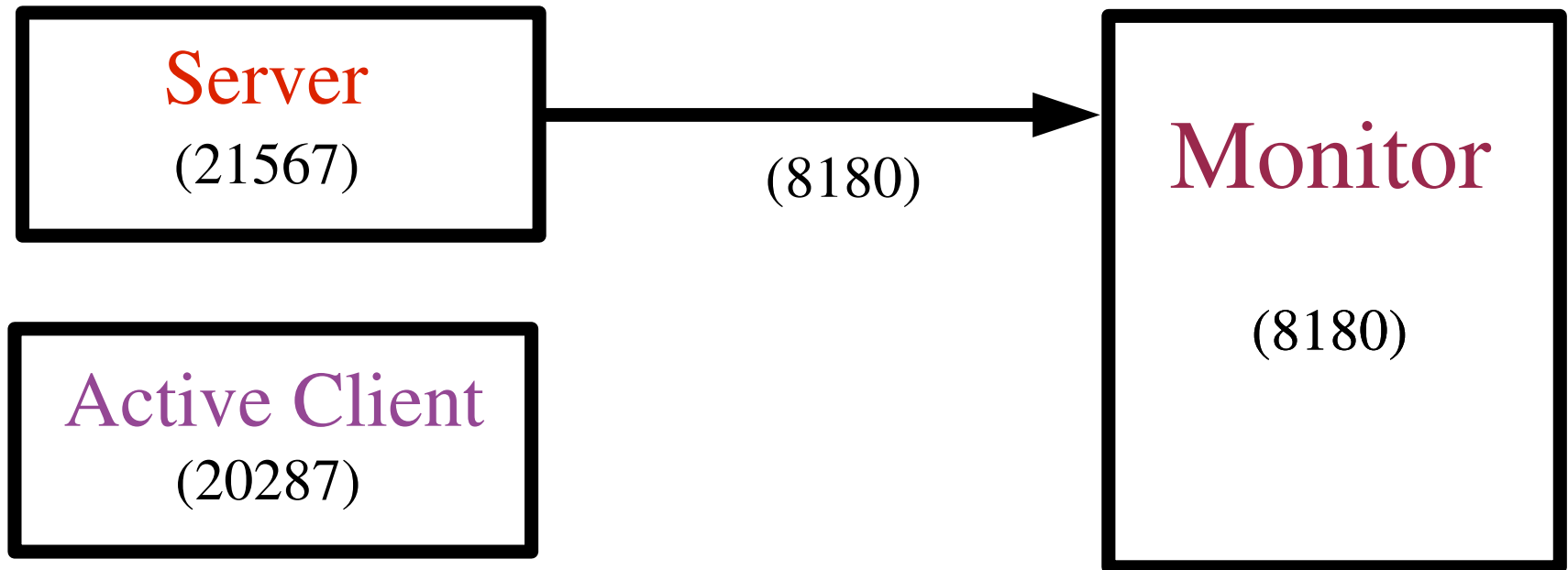
Get ALIVE directive from Monitor



Are You Alive Transaction:

COMMENT: Monitor Version 2.2
REQUIRE: IDENT
WAITING:

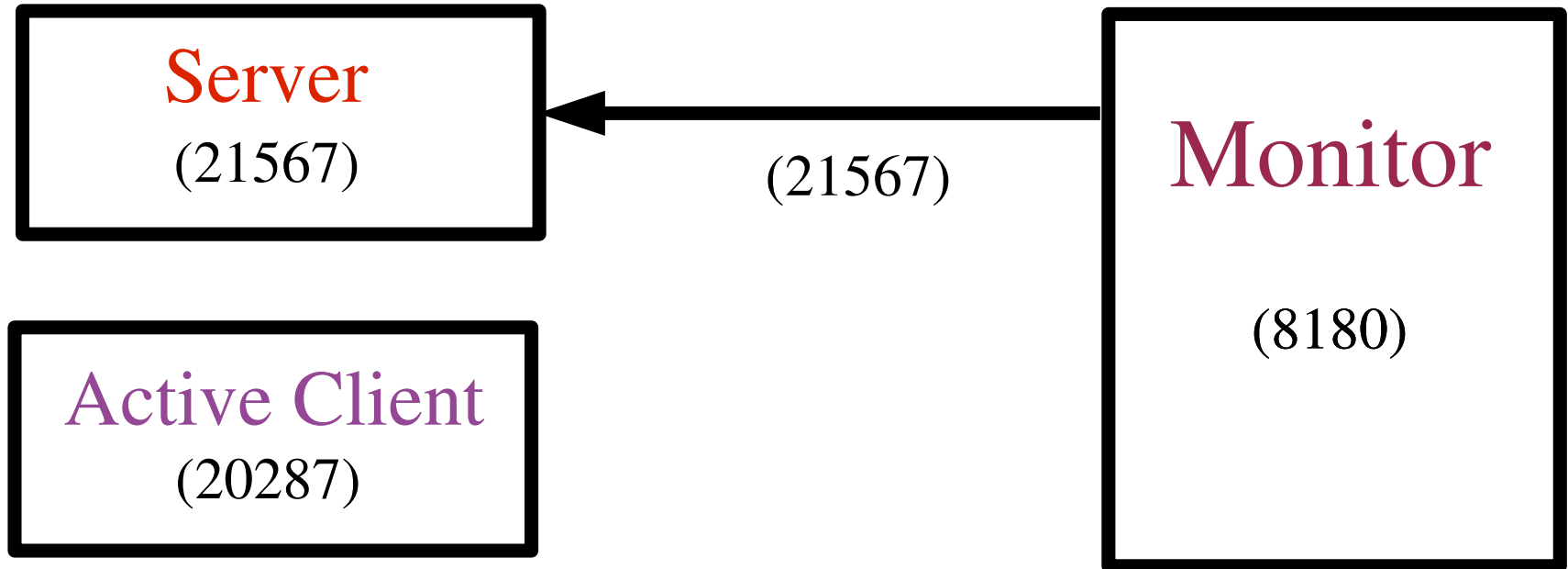
Send IDENT command to Monitor



Are You Alive Transaction:

IDENT FRANCO

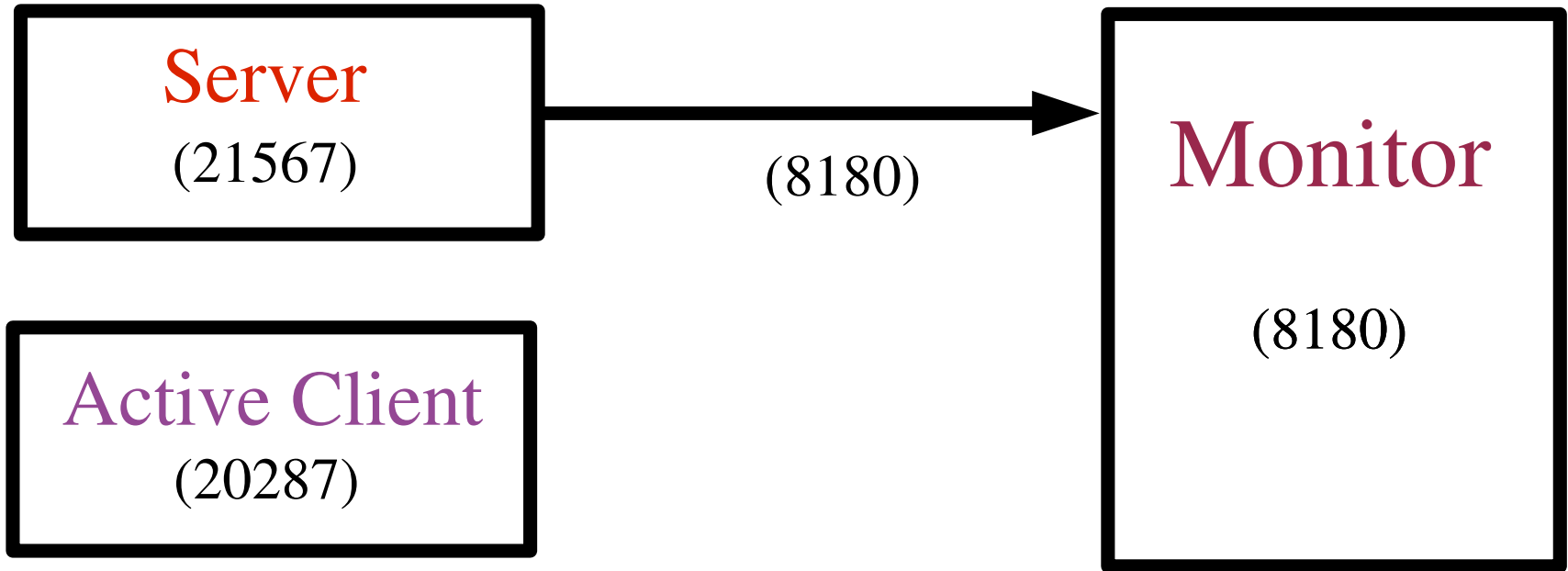
Get checksum from Monitor



Are You Alive Transaction:

PARTICIPANT_PASSWORD_CHECKSUM: 78a74b94cd3778ef36635
RESULT: IDENT REQUIRE: ALIVE
WAITING:

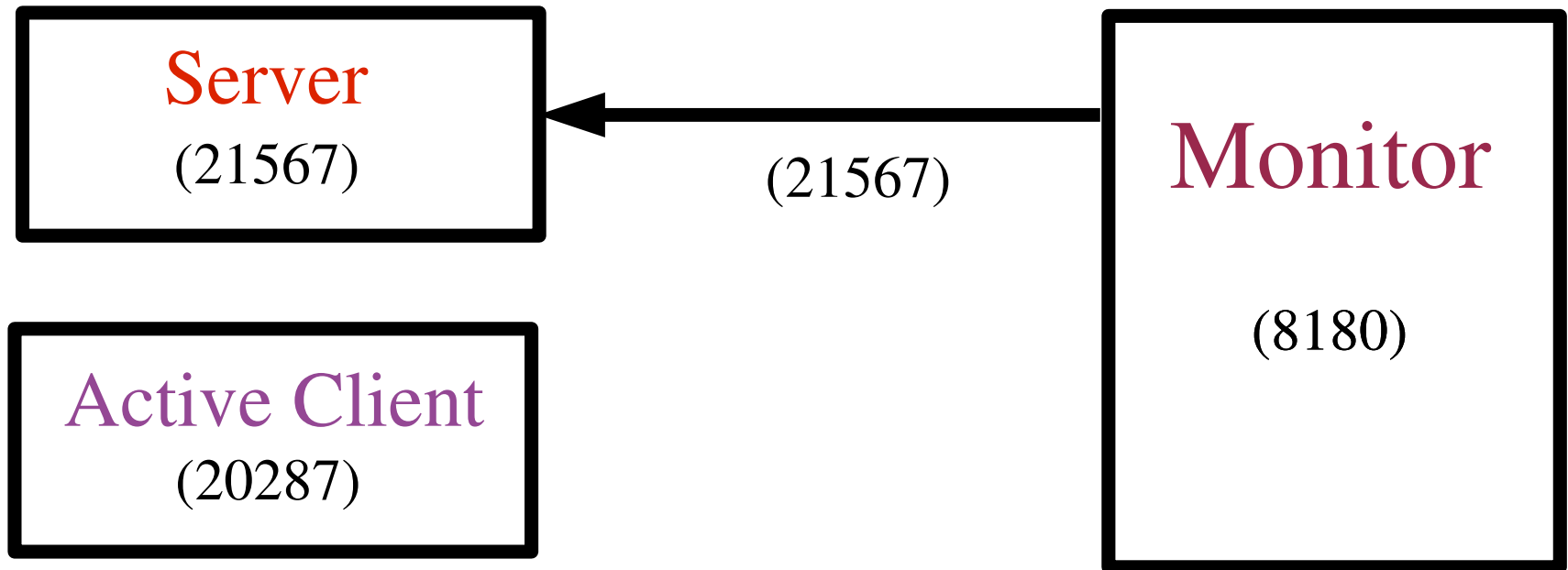
Send ALIVE command to Monitor



Are You Alive Transaction:

ALIVE UYERWEEIOUYTUIU

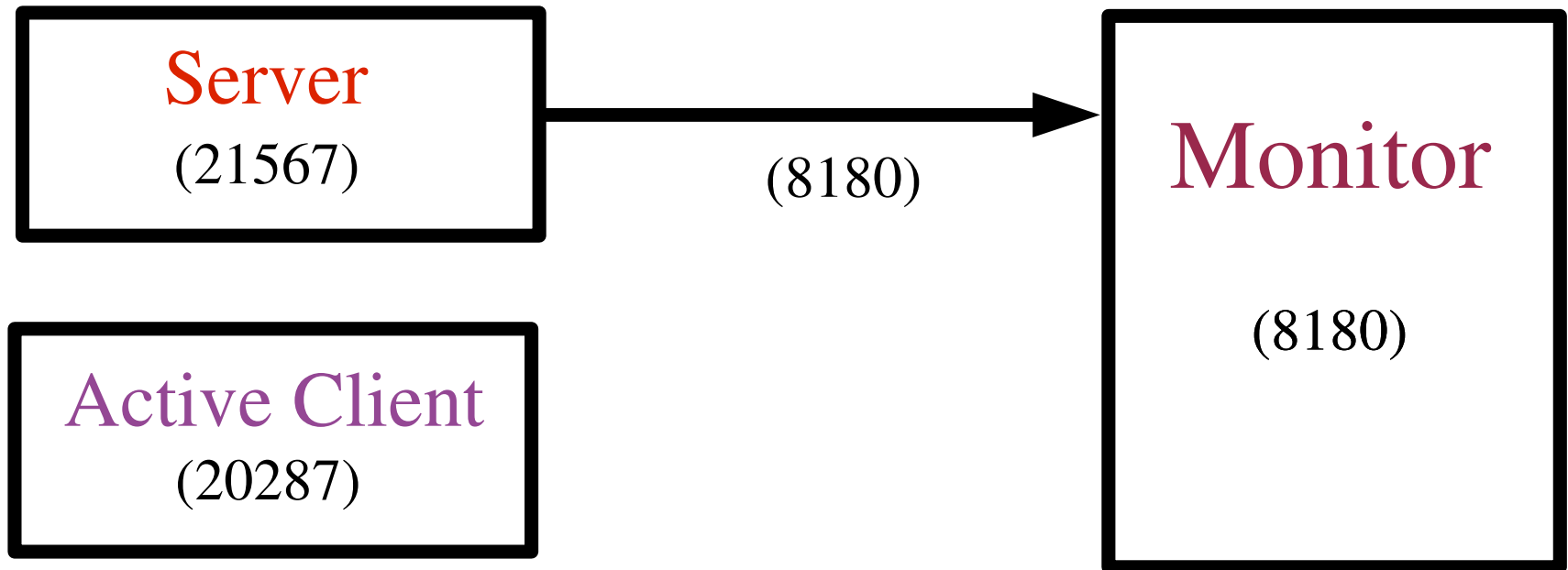
Complete ALIVE transaction



Are You Alive Transaction:

RESULT: ALIVE Identity has been verified
REQUIRE: QUIT
WAITING:

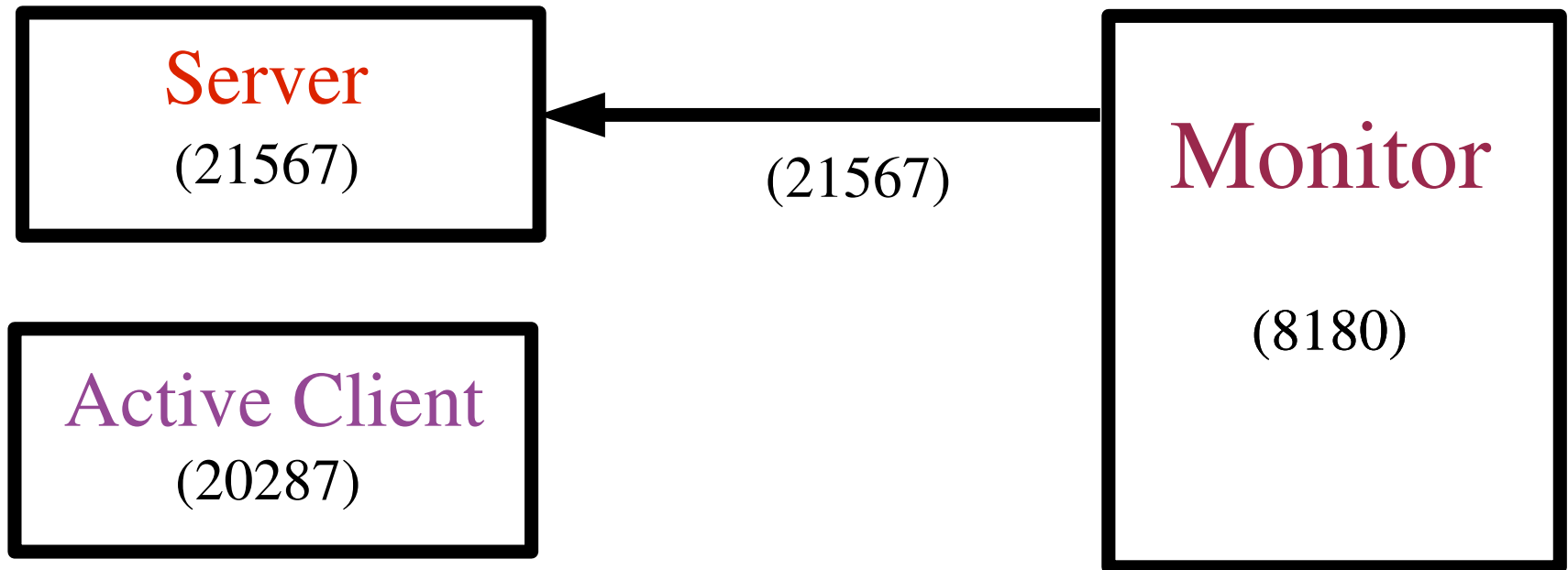
Complete ALIVE transaction



Are You Alive Transaction:

QUIT

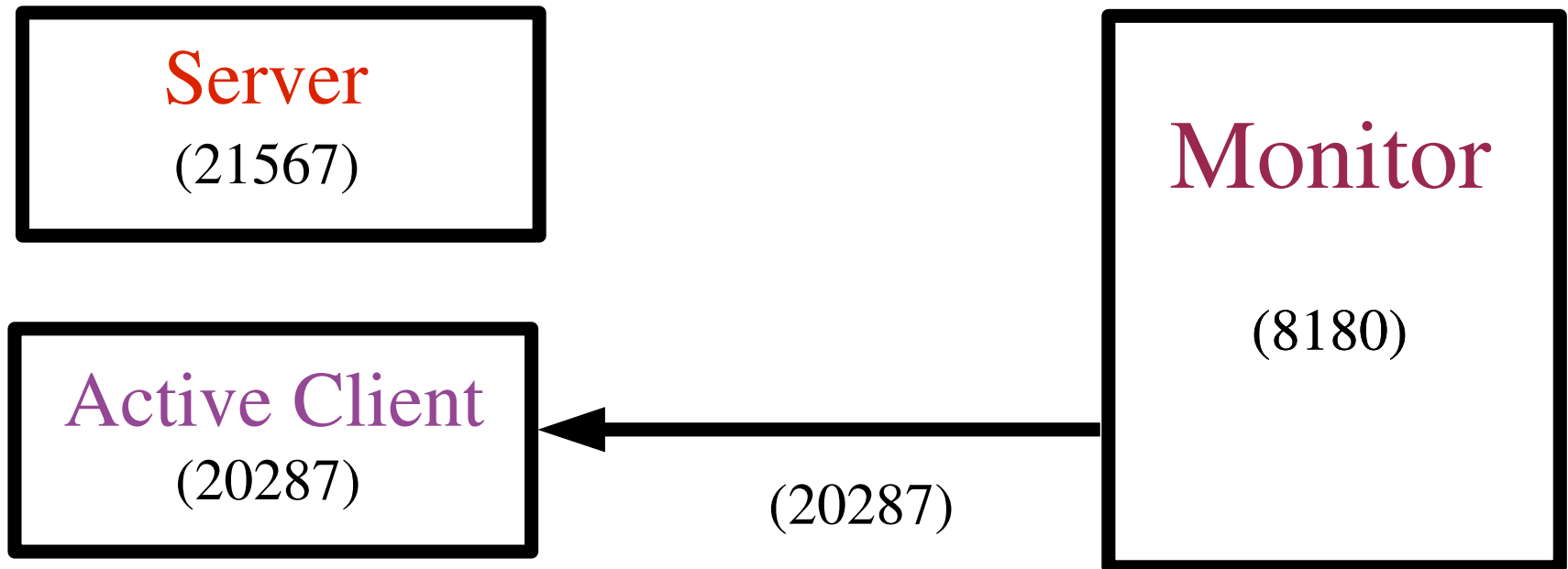
Complete ALIVE transaction



Are You Alive Transaction:

RESULT: QUIT

Complete Login transaction



Login Protocol:

RESULT: HOST_PORT GAUSS.ECECS.UC.EDU 21567

Server

(21567)

Active Client

(20287)

Monitor

(8180)

Active Client may issue commands for 3 minutes

Server waits for ALIVE requests from Monitor